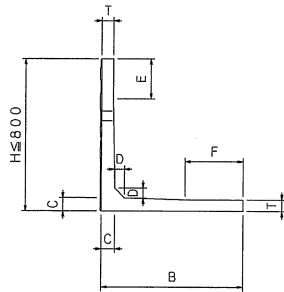
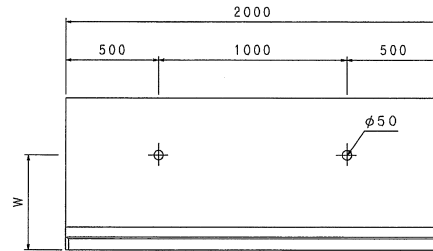


ミルウォール (Nタイプ)

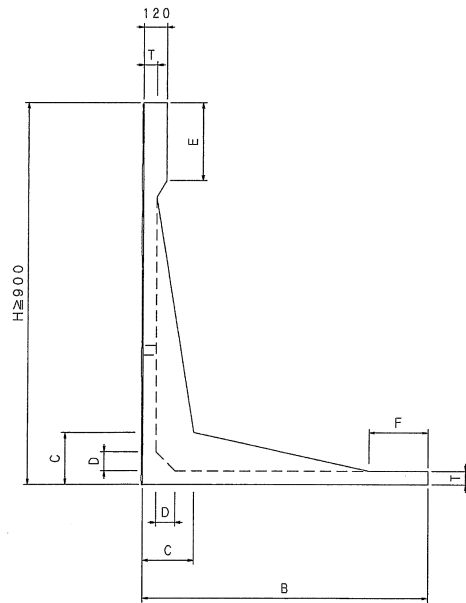
側面図



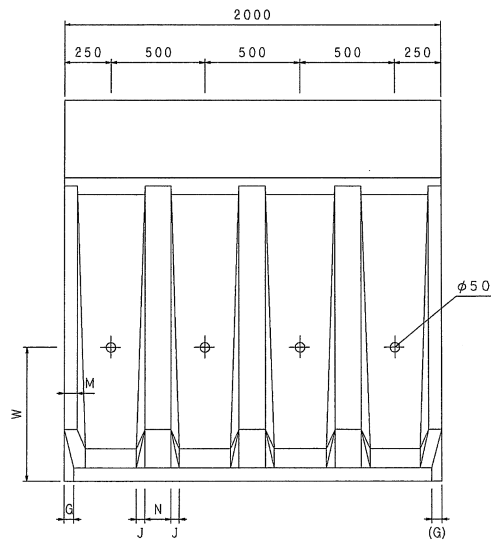
背面図



側面図



背面図



※ H=2100以上は (G) 寸法がなくなります。

寸法表 (単位: mm)

| H | B | C | D | T | G | E | F | M | N | J | W | 参考重量 (kg) |
|------|------|------|-----|----|-----|-----|-----|----|-----|----|------|-----------|
| 500 | | | | | 26 | - | 410 | | | | | 399 |
| 600 | 850 | | | | | 10 | | | | | | 428 |
| 700 | | 70 | | | 28 | 110 | 460 | - | - | - | 300 | 474 |
| 750 | 900 | | | | | 160 | | | | | | 488 |
| 800 | | 950 | 50 | 60 | 30 | 210 | 510 | | | | | 517 |
| 900 | | 1050 | | | 33 | 10 | 360 | | | | | 646 |
| 1000 | | | | | | 110 | | | | | | 706 |
| 1100 | | 160 | | | | 210 | | | | | | 800 |
| 1200 | 1200 | | | | 38 | 310 | 510 | 60 | 120 | 30 | 500 | 857 |
| 1250 | | | | | | 360 | | | | | | 888 |
| 1300 | | | | | | 110 | 260 | | | | | 991 |
| 1400 | | 215 | | 65 | 41 | 210 | 360 | | | | | 1076 |
| 1500 | 1300 | | | | | 310 | | | | | | 1149 |
| 1600 | | | | | | 10 | | | | | | 1423 |
| 1700 | 1450 | | 100 | | 46 | 110 | 260 | | | | | 1471 |
| 1750 | | | | | | 160 | | | | | | 1499 |
| 1800 | | 270 | | 70 | | 210 | | | | | 700 | 1589 |
| 1900 | 1650 | | | | 53 | 310 | 460 | | | | | 1646 |
| 2000 | | | | | | 410 | | | | | | 1712 |
| 2100 | | | | | | 10 | | 70 | 140 | 40 | | 2205 |
| 2200 | 1800 | | | | 114 | 110 | 310 | | | | | 2262 |
| 2250 | | | | | | 160 | | | | | | 2287 |
| 2300 | | 350 | | | | 210 | | | | | 800 | 2372 |
| 2400 | | | | | 126 | 310 | 460 | | | | | 2427 |
| 2500 | 1950 | | | | | 410 | | | | | | 2482 |
| 2600 | | | | | | 10 | | | | | | 3043 |
| 2700 | | | | | | 110 | | | | | | 3100 |
| 2750 | 2150 | | | | 138 | 160 | 360 | | | | | 3142 |
| 2800 | | 410 | | | | 210 | | 75 | 150 | 60 | 1200 | 3157 |
| 2900 | | | | | | 310 | | | | | | 3273 |
| 3000 | 2300 | | | | 148 | 410 | 510 | | | | | 3406 |